



PRODUCTS

Voltage Controlled Crystal Oscillator (Through Hole)

Typical Applications:

- Video Decoding
- VoIP
- Wireless Base Station
- Set-top Box

VC08

(Through Hole VCXO Series)

Part Number: VC08 (Waveform) (ppm) - Temp - Pull - Freq

Example: VC08H50-1080 -100-20.000

Specification

VC08

Part No.	Example
VC08 (waveform) (ppm)-Temp Range-Pull-Freq	VC08H50-0070-100-20.000

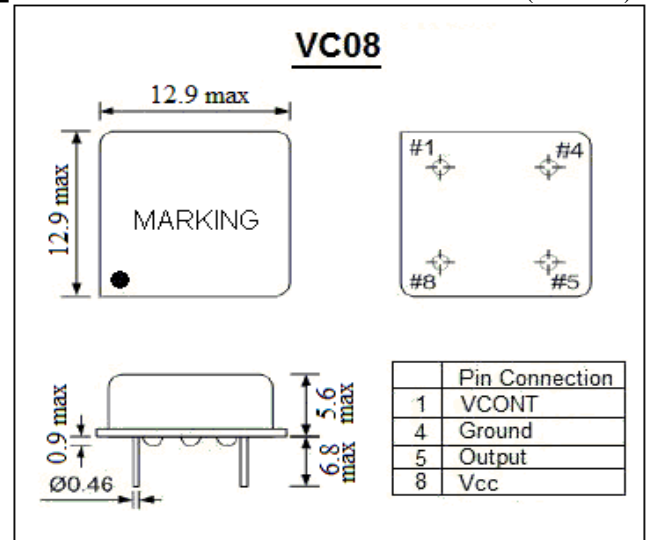
Specification		VC08	
Output Waveform		HCMOS	
Frequency Range		1.0 to 52.0MHz	
Frequency Pullability		±25 to ±150ppm	
Temperature Stability		±15 to ±50ppm	
Operating Temperature Range		-10°C to +70°C / -40°C to +85°C	
Storage Temperature Range		-55°C to +125°C	
Aging		±5ppm/year Max.	
Supply Voltage (Vcc)		+5.0VDC ±5%	+3.3VDC ±5%
Supply Current	1.000MHz to 23.999MHz	15mA Max	10mA Max
	24.000MHz to 52.000MHz	25mA Max	20mA Max
Symmetry		40/60% or 45/55%	
Output Load		5TTL / 15pF Max	
Rise and Fall Time		10 / 10 nS Max	
Output Voltage	VOL	10% Vcc Max	
	VOH	90% Vcc Min	



VC08

Dimension

(Unit:mm)



OSCILLATOR