



PRODUCTS Temperature Compensated Crystal Oscillator (Through Hole)

Typical Applications:

- Data Communications
- Telecommunication System
- Instrumentation

TX14 Series (Through Hole TCXO Series)

Part Number: TX14 Series - Waveform - Stability- Freq - Vcc

Example: TX14LC0.28-12.800-3.3V

Specification

TX14

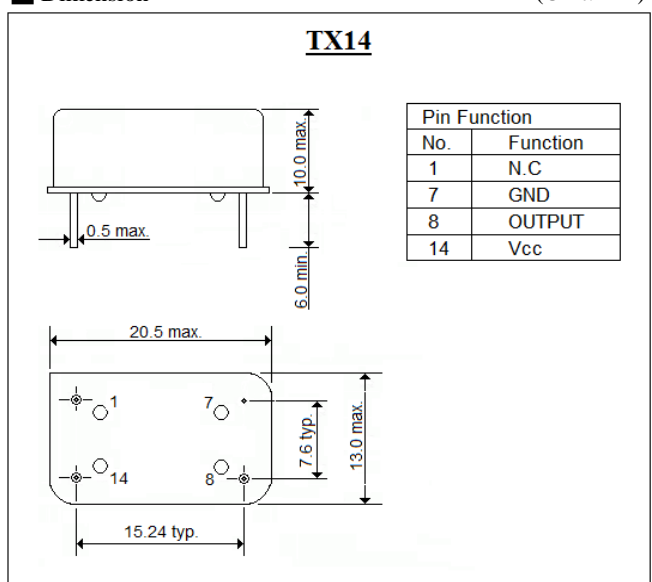
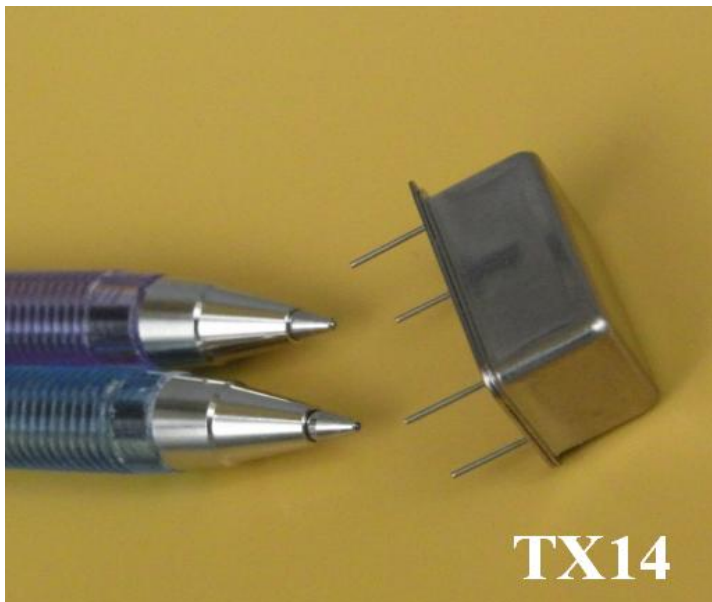
Part No.	Example
TX14 Series - Waveform - Stability - Freq - Vcc	TX14LC0.28-12.800-3.3V

Specification		TX14
Frequency Range		10.000 to 40.000MHz
Temperature Stability	vs Temperature	±0.28 to ±2.5ppm Max.
	vs Power Supply	±0.2ppm Max.
	vs Load	±0.2ppm Max.
Operating Temperature Range		-30 °C to +85 °C
Aging		±1ppm/year Max.
Supply Voltage (Vcc)		3.3 / 5.0 VDC.
Current Consumption		20mA Max.
Output Load		30pF
Output Waveform		LVC MOS
Duty Cycle (Typical)		40 / 60% (at 50% Vcc) typ. or 45 / 55% max.
Phase Noise	Offset	Phase Noise
	10Hz	-90dBc/Hz
	100Hz	-110dBc/Hz
	1KHz	-130dBc/Hz
	10KHz	-140dBc/Hz
	100KHz	-145dBc/Hz

Note: This is a typical parameter spec., please contact us for detail specification sheet.

Dimension

(Unit: mm)



HIGH PRECISION OSCILLATOR