



PRODUCTS

Ceramic Resonator (SMD)

Typical Applications:

- Household Electric Appliances
- Remote Controllers
- Telephones

SCJ

(SMD Ceramic Resonator Series)

Part Number: SCJ7434-Freq / SCJ4741-Freq / SCJ4520-Freq / SCJ3731-Freq / SCJ2520-Freq
 Example: SCJ7434-2.000 / SCJ4741-14.000 / SCJ4520-8.000 / SCJ3731-16.000 / SCJ2520-20.000

■ Specification

SCJ

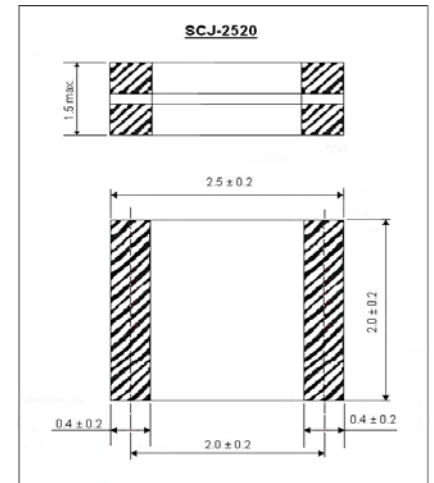
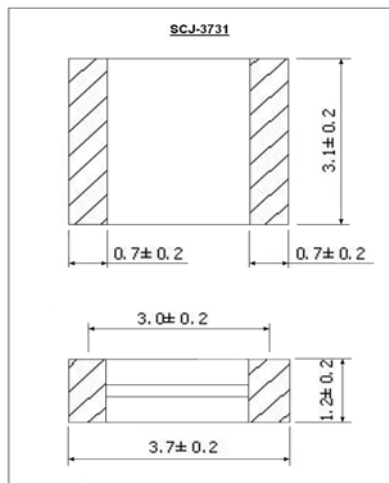
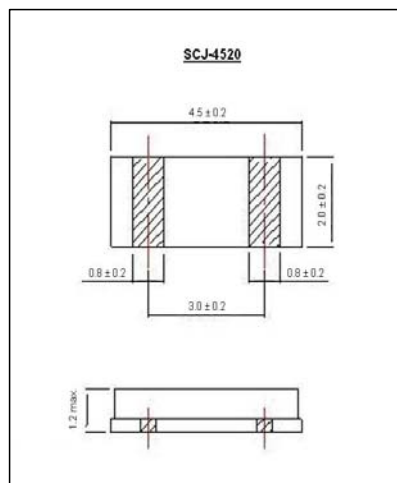
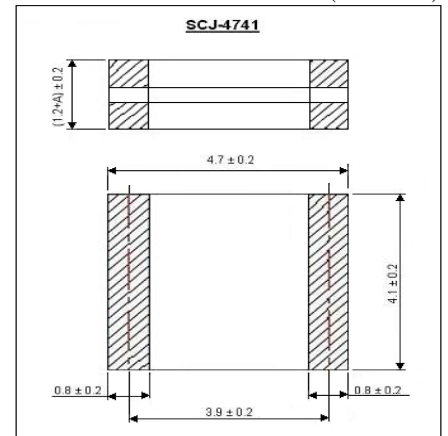
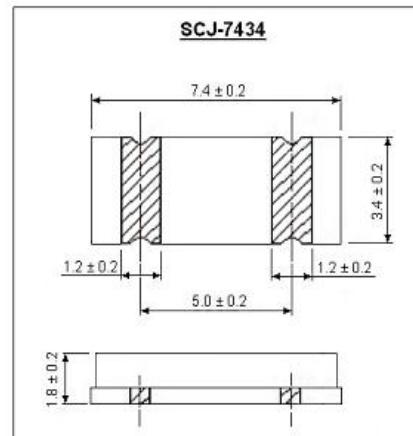
Part No.	Example
SCJ7434-Freq	SCJ7434-2.000

Specification	SCJ7434	SCJ4741	SCJ4520	SCJ3731	SCJ2520
Frequency Range	2.000MHz - 8.000MHz	6.000MHz - 60.000MHz	4.000MHz - 8.000MHz	8.000MHz - 60.000MHz	20.000MHz - 60.000MHz
Tolerance at 25°C	± 0.5%				
Temperature Stability	± 0.3%				
Operating Temperature Range	-20°C to +80°C				
Aging	± 0.3% for 10 years Max.				



■ Dimension

(Unit: mm)



RESONATOR & FILTER