



PRODUCTS

Ceramic Resonator (SMD)

Typical Applications:

- Household Electric Appliances
- Remote Controllers
- Telephones

SCB (SMD Ceramic Resonator Series)

Part Number: SCB7434-Freq / SCB4741-Freq / SCB4520-Freq / SCB3731-Freq / SCB2520-Freq

Example: SCB7434-2.000 / SCB4741-14.000 / SCB4520-8.000 / SCB3731-16.000 / SCB2520-20.000

Specification

SCB

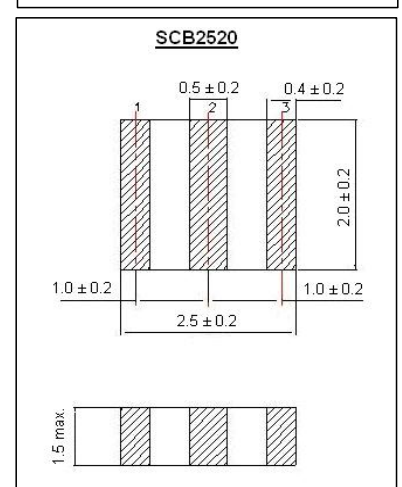
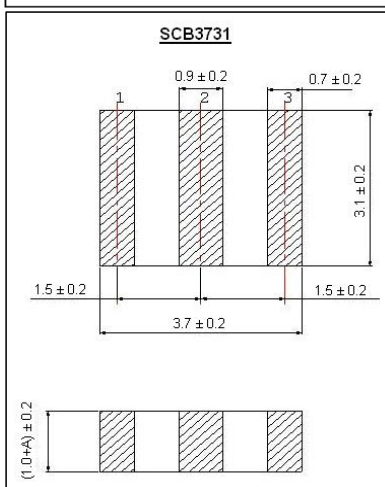
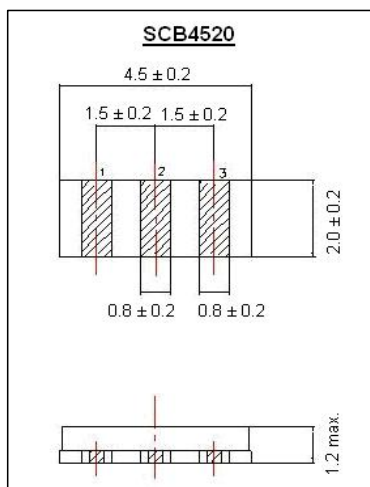
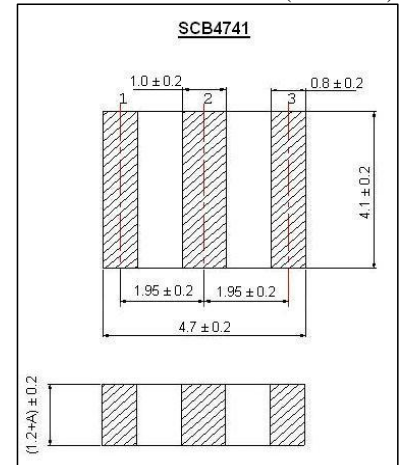
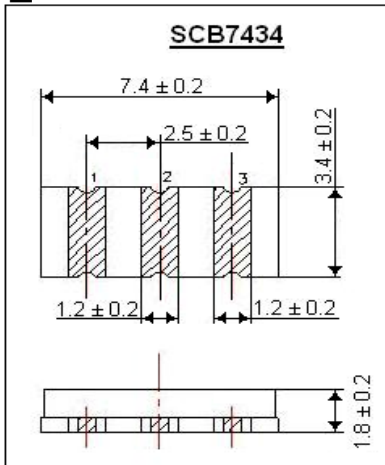
Part No.	Example
SCB7434-Freq	SCB7434-2.000

Specification	SCB7434	SCB4741	SCB4520	SCB3731	SCB2520
Frequency Range	2.000MHz - 8.000MHz	6.000MHz - 60.000MHz	4.000MHz - 8.000MHz	8.000MHz - 60.000MHz	20.000MHz - 60.000MHz
Tolerance at 25°C	± 0.5%				
Temperature Stability	± 0.3%				
Operating Temperature Range	-20°C to +80°C				
Aging	± 0.3% for 10 years Max.				



Dimension

(Unit: mm)



RESONATOR & FILTER