



PRODUCTS

Crystal Unit (SMD)

Typical Applications:

- PCMCIA Cards
- PCs
- Handheld products
- Disc drives

CRYSTAL

I70

(Seam Welding Series)

Part Number: I70 (ppm) - Freq - CL

Example: I7015-24.000-18



■ Specification

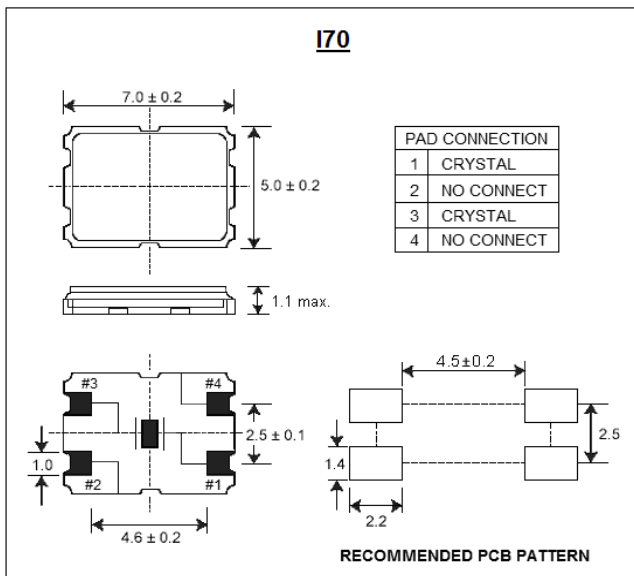
I70

Part No.	Example
I70 (ppm) - Freq - CL	I7015-24.000-18

Specification	I70
Frequency Range	6.0 to 100.0MHz
Mode of Oscillation	Fundamental / 3rd Overtone
Tolerance at 25 °C	±10 to ±50ppm
Temperature Stability	±10 to ±50ppm
Operating Temperature Range	-10 °C to +70 °C / -40 °C to +85 °C
Load Capacitance	10 to 32pF / Series
Storage Temperature Range	-40 °C to +85 °C / -55 °C to +125 °C
ESR	* See Table Below
Drive Level	100µW Max.
Aging	±5ppm/year Max.

■ Dimension

(Unit: mm)



* I70 ESR Table

Oscillation Mode	Frequency Range (MHz)	ESR (Ohm)
Fundamental	6.0 to 7.9	120 Max.
	8.0 to 8.9	100 Max.
	9.0 to 9.9	90 Max.
	10.0 to 10.9	80 Max.
	11.0 to 11.9	70 Max.
	12.0 to 15.9	60 Max.
3rd Overtone	16.0 to 39.9	40 Max.
	40.0 to 83.9	70 Max.
	84.0 to 100.0	60 Max.