



**PRODUCTS**

**Tuning Fork Crystal (Through Hole)**

**Typical Applications:**

- Mobile Phone
- Digital Camera
- Portable PCs
- Wireless LAN

# I206

## (Through Hole Tuning Fork Series)

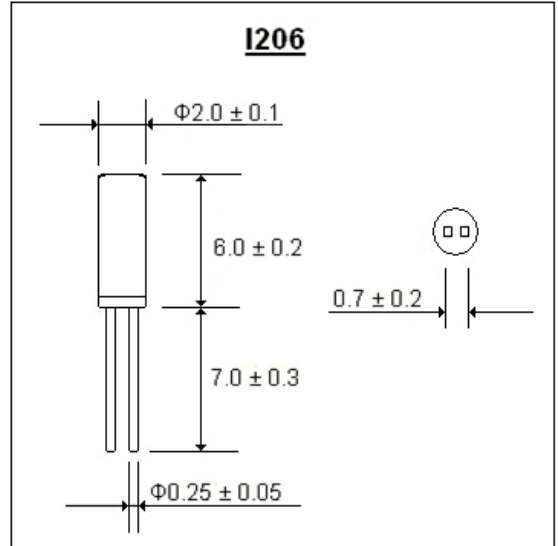
Part Number: I206-Freq-CL  
 Example: I206-32.768KHz-12.5



Specification		I206
Part No.	Example	
I206-Freq-CL	I206-32.768KHz-12.5	

Specification	I206
Frequency Range	32.768KHz / 30 to 200KHz
Tolerance at 25 °C	±5 to ±100ppm
Turnover Temperature	+25 °C
Temperature Coefficient	(-0.035±0.01)ppm/ °C <sup>2</sup>
Load Capacitance	6.0 to 12.5pF
ESR	50KΩ Max.
Aging	±5ppm/year Max.
Operating Temperature Range	-10 °C to + 60 °C
Storage Temperature Range	-40 °C to +85 °C
Drive Level	1μW Max.

**Dimension** (Unit:mm)



TUNING FORKS