



PRODUCTS

Tuning Fork Crystal (Through Hole)

Typical Applications:

- Mobile Phone
- Digital Camera
- Portable PCs
- Wireless LAN

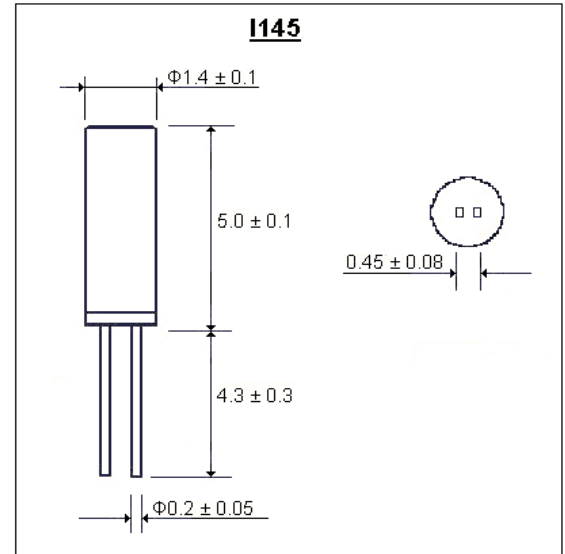
I145
(Through Hole Tuning Fork Series)
 Part Number: I145-Freq-CL
 Example: I145-32.768KHz-12.5



■ Specification		I145
Part No.	Example	
I145-Freq-CL	I145-32.768KHz-12.5	

Specification	I145
Frequency Range	32.768KHz
Tolerance at 25 °C	±20ppm
Turnover Temperature	+25 °C
Temperature Coefficient	(-0.035±0.01)ppm/ °C ²
Load Capacitance	12.5pF
ESR	40KΩ Max.
Aging	±5ppm/year Max.
Operating Temperature Range	-20 °C to +70 °C
Storage Temperature Range	-40 °C to +85 °C
Drive Level	1μW Max.

■ Dimension (Unit:mm)



TUNING FORKS