



**PRODUCTS**

**Crystal Unit (SMD)**

**Typical Applications:**

- Set-Top Box
- PCs
- Microcontrollers and Processors
- Consumer Electronic

CRYSTAL

# HC-49/S SMD (SMD S Series)

Part Number: S-Freq-CL-SMD

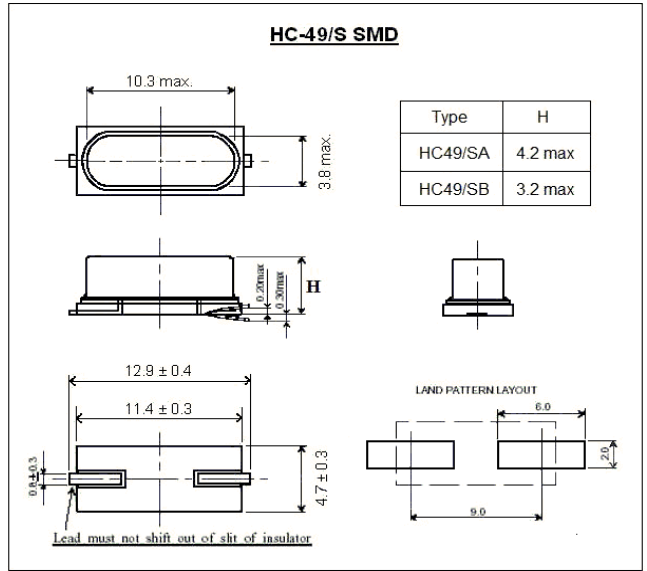
Example: S-4.000-18-SMD



Specification		HC-49/S SMD
Part No.	Example	
S-Freq-CL-SMD	S-4.000-18-SMD	

Specification	HC-49/S SMD
Frequency Range	3.5 to 66.0MHz
Mode of Oscillation	Fundamental / 3rd Overtone
Tolerance at 25 °C	±10ppm to ±50ppm
Temperature Stability	±5ppm to ±50ppm
Operating Temperature Range	-10 °C to +60 °C / -40 °C to +85 °C
Storage Temperature Range	-55 °C to +125 °C
Load Capacitance	10 to 32pF / Series
ESR	* See Table Below
Drive Level	100µW Max.
Aging	±5ppm/year Max.

**Dimension** (Unit: mm)



\* HC-49/S SMD ESR Table

Oscillation Mode	Frequency Range (MHz)	ESR (Ohm)
Fundamental	3.5 to 3.9	200 Max.
	4.0 to 7.9	150 Max.
	8.0 to 11.9	70 Max.
	12.0 to 23.9	50 Max.
	24.0 to 30.0	40 Max.
3rd Overtone	30.0 to 66.0	80 Max.