



PRODUCTS

High Precision Frequency Crystal Unit (Through Hole)

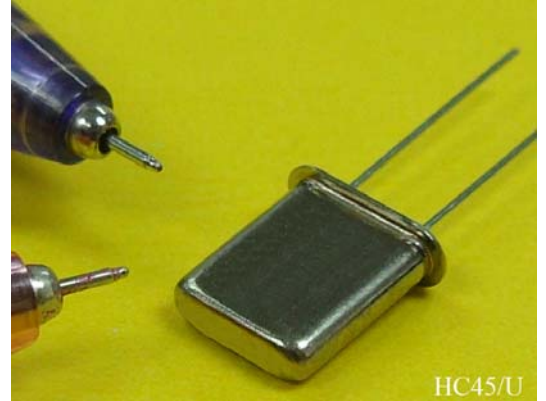
Description:

High Precision Overtone, SC cut crystal for TCXO, VCXO, and OCXO

**HC-45/U
(U45 Series)**

Part Number: U45-SC-Freq-CL-OT

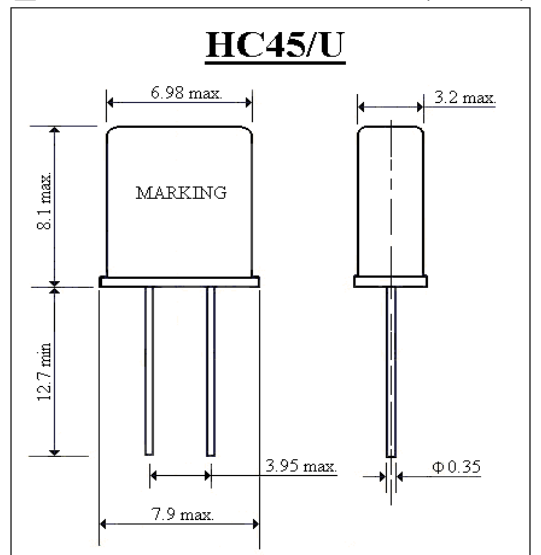
Example: U45-SC-100.000-20-50T



Specification	HC-45/U
Part No.	Example
U45-SC-Freq-CL-OT	U45-SC-100.000-20-50T

Specification	HC-45/U	
Frequency Range	50.000MHz to 120.000MHz	75.000MHz to 190.000MHz
Mode of Oscillation	3rd Overtone	5th Overtone
Calibration Tolerance at 25°C	±2ppm (min.)	
Temperature Stability	±0.01ppm to ±1ppm (standard)	
Best Stability vs. Temperature Range	±0.01ppm per 0°C @ LTP	
	±15ppm @ 0°C to +70°C	
Upper Turnover Temperature	C to C	
Lower Turnover Temperature	+70°C to +90°C	
Load Capacitance	Series to 56pF	
ESR	50ohms (max.)	60ohms (max.)
Drive Level	50µW (typical)	
Aging	±3ppb/day	

Dimension (Unit: mm)



HIGH PRECISION FREQUENCY CRYSTAL