



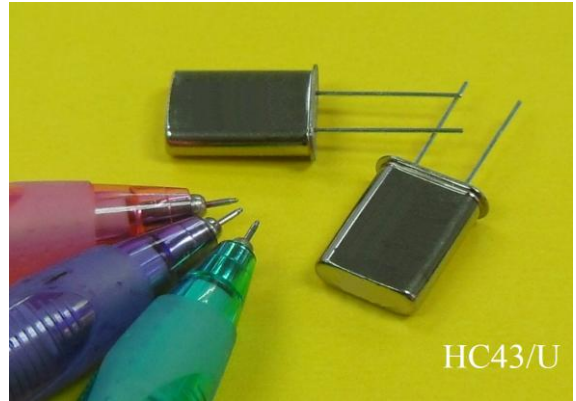
Description:

High Precision SC cut crystal for TCXO, VCXO, and OCXO

HC-43/U
(U43 Series)

Part Number: U43-SC-Freq-CL-OT

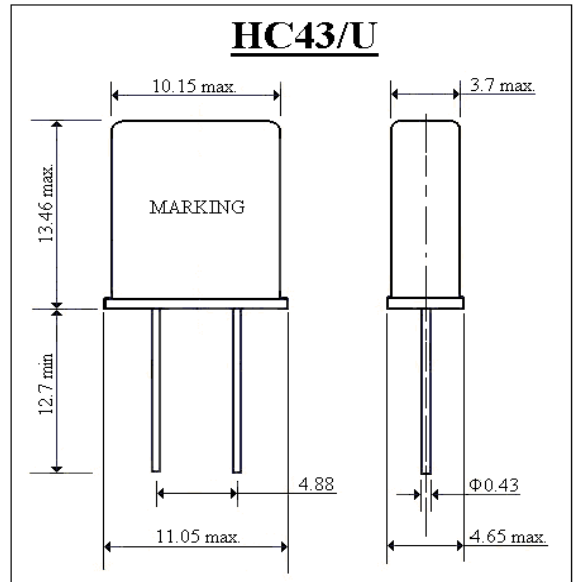
Example: U43-SC-100.000-20-3OT



■ Specification	HC-43/U
Part No.	Example
U43-SC-Freq-CL-OT	U43-SC-100.000-20-3OT

Specification	HC-43/U
Frequency Range	10.000MHz to 120.000MHz
Mode of Oscillation	Fundamental / 3rd Overtone / 5th Overtone
Calibration Tolerance at 25 °C	±2ppm (min.)
Temperature Stability	±0.01ppm to ±1ppm (standard)
Best Stability vs. Temperature Range	±0.01ppm per 0 °C @ LTP ±15ppm @ 0 °C to +70 °C
Upper Turnover Temperature	C to C
Lower Turnover Temperature	+70 °C to +90 °C
Load Capacitance	Series to 56pF
ESR	60ohms (typical)
Drive Level	50µW (typical)
Aging	±3ppb/day (typical)

■ Dimension (Unit: mm)



HIGH PRECISION FREQUENCY CRYSTAL