



PRODUCTS

High Precision Frequency Crystal Unit (Through Hole)

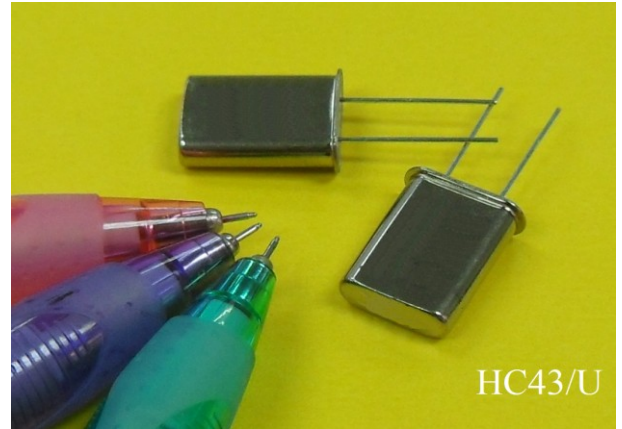
Description:

High Precision Fundamental Inverted Mesa AT cut crystal for TCXO, VCXO, and OCXO

**HC-43/U
(U43 Series)**

Part Number: U43-AT-Freq-CL

Example: U43-AT-100.000-20



Specification

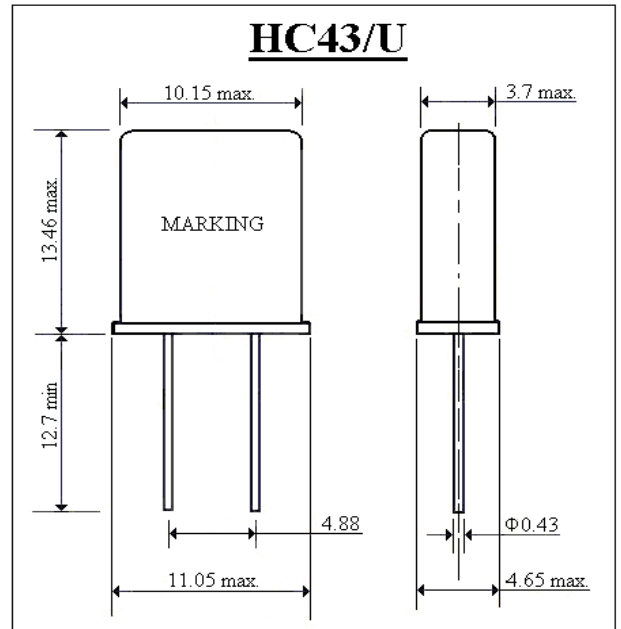
HC-43/U

Part No.	Example
U43-AT-Freq-CL	U43-AT-100.000-20

Specification	HC-43/U Series
Frequency Range	30.000MHz to 200.000MHz
Mode of Oscillation	Fundamental
Calibration Tolerance at 25°C	±20ppm (standard)
Temperature Stability	±5ppm to ±100ppm (standard)
Best Stability vs. Temperature Range	±5ppm @ 0°C to +50°C
	±5ppm @ -10°C to +60°C
	±10ppm @ -20°C to +70°C
	±15ppm @ -40°C to +85°C
	±30ppm @ -55°C to +125°C
	±2ppm @ UTP ±5°C
Upper Turnover Temperature	C to C
Lower Turnover Temperature	+70°C to +90°C
Load Capacitance	Series to 56pF
ESR	60ohms (typical)
Drive Level	250µW (typical)
Aging	±5ppm/year (max.)

Dimension

(Unit: mm)



HIGH PRECISION FREQUENCY CRYSTAL