



**PRODUCTS**

**High Precision Frequency Crystal Unit (Through Hole)**

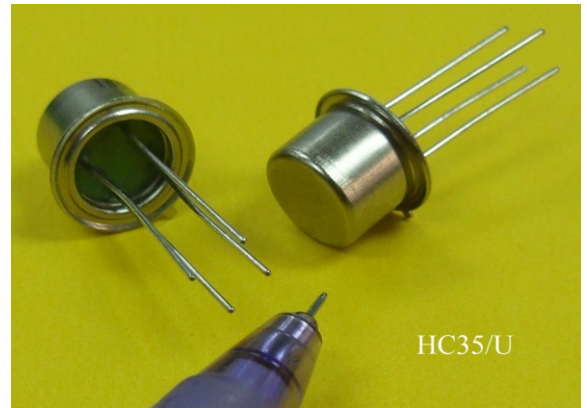
**Description:**

**High Precision Overtone, SC cut crystal for TCXO, VCXO, and OCXO**

**HC-35/U  
(U35 Series)**

**Part Number: U35-SC-Freq-CL-OT**

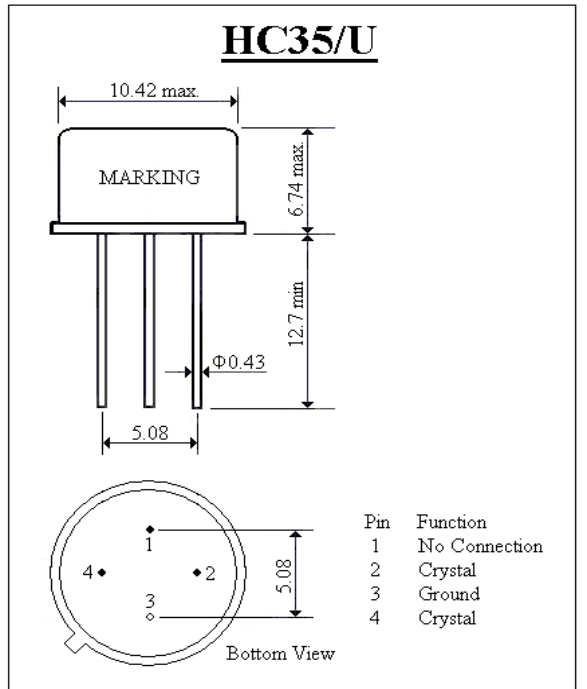
**Example: U35-SC-100.000-20-3OT**



■ Specification		HC-35/U
Part No.	Example	
U35-SC-Freq-CL-OT	U35-SC-100.000-20-3OT	

Specification	HC-35/U Series	
Frequency Range	50.000MHz to 120.000MHz	75.000MHz to 190.000MHz
Mode of Oscillation	3rd Overtone	5th Overtone
Calibration Tolerance at 25°C	±2ppm (min.)	
Temperature Stability	±0.01ppm to ±1ppm (standard)	
Best Stability vs. Temperature Range	±0.01ppm per 0°C @ LTP	
	±15ppm @ 0°C to +70°C	
Upper Turnover Temperature	C to C	
Lower Turnover Temperature	+70°C to +90°C	
Load Capacitance	Series to 56pF	
ESR	60ohms (typical)	
Drive Level	50µW (typical)	
Aging	±3ppb/day	

**■ Dimension** (Unit: mm)



HIGH PRECISION FREQUENCY CRYSTAL