



PRODUCTS

High Precision Frequency Crystal Unit (Through Hole)

Description:

**High Precision Frequency AT cut crystal
for TCXO, VCXO, and OCXO**

**HC-35/U
(U35 Series)**

Part Number: U35-AT-Freq-CL-OT

Example: U35-AT-50.000-20-30T



Specification

HC-35/U

Part No.	Example
U35-AT-Freq-CL-OT	U35-AT-50.000-20-30T

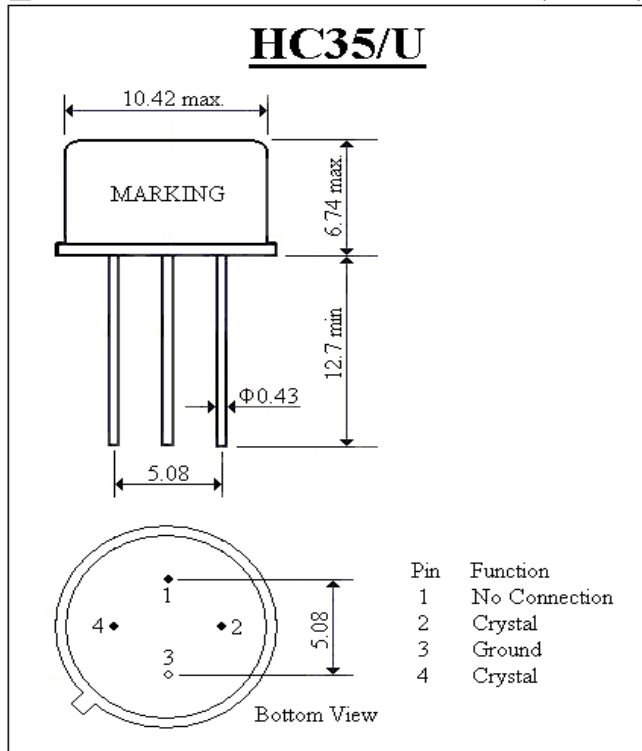
Specification	HC-35/U
Frequency Range	8.000MHz to 200.000MHz
Mode of Oscillation	Fundamental / 3rd OT / 5th OT / 7th OT
Calibration Tolerance at 25°C	±5ppm (min.)
Temperature Stability	±5ppm to ±100ppm (standard)
Best Stability vs. Temperature Range	±5ppm @ 0°C to +50°C
	±5ppm @ -10°C to +60°C
	±10ppm @ -20°C to +70°C
	±15ppm @ -40°C to +85°C
	±30ppm @ -55°C to +125°C
	±2ppm @ UTP ±5°C
Upper Turnover Temperature	70°C to +90°C
Lower Turnover Temperature	C to C
Load Capacitance	Series to 56pF
ESR	* Refer to ESR Table
Drive Level	250µW (typical)
Aging	±5ppm/year (max.)

* ESR Table

Oscillation Mode	Frequency Range (MHz)	ESR (ohms) max.
Fundamental	8.000 - 9.999	80
	10.000 - 10.999	60
	11.000 - 15.999	40
	16.000 - 29.999	25
3th Overtone	30.000 - 105.000	50
5th Overtone	50.000 - 170.000	90
7th Overtone	150.000 - 200.000	120

Dimension

(Unit: mm)



HIGH PRECISION FREQUENCY CRYSTAL