



PRODUCTS

Tuning Fork Crystal (SMD)

Typical Applications:

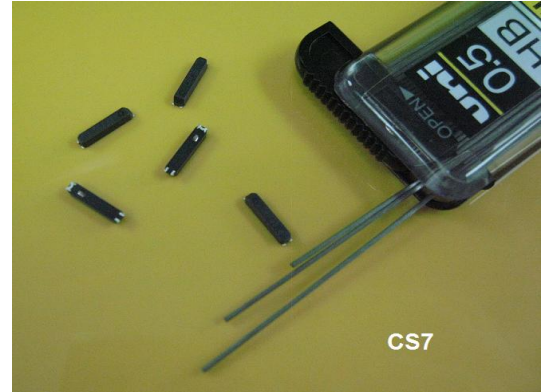
- Mobile Phone
- Digital Camera
- Portable PCs
- Wireless LAN

CS7

(SMD Tuning Fork Series)

Part Number: CS7-Freq-CL-TR

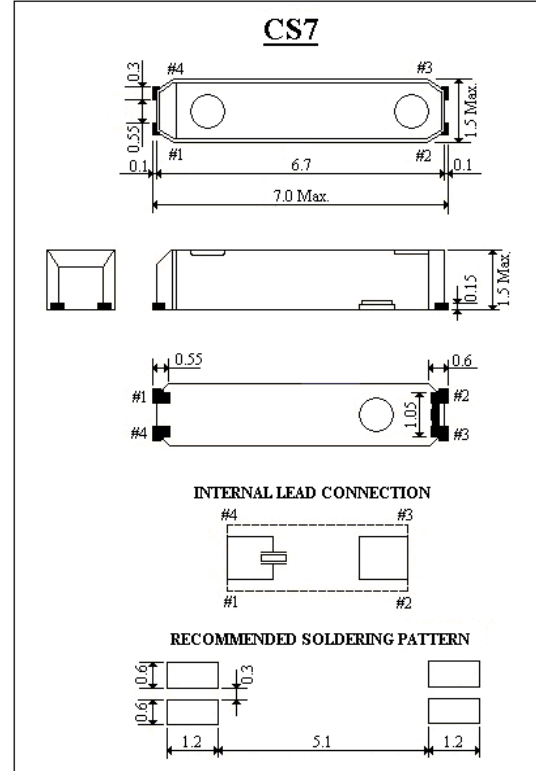
Example: CS7-32.768KHz-12.5-TR



Specification		CS7
Part No.	Example	Size
CS7-Freq-CL-TR	CS7-32.768KHz-12.5-TR	7.0 x 1.5 mm

Specification	CS7
Frequency Range	32.768KHz
Tolerance at 25°C	±10 to ±50ppm
Turnover Temperature	+25 °C
Temperature Coefficient	$(-0.035 \pm 0.01) \times 10^{-6} / ^\circ\text{C}^2$
Load Capacitance	7 to 12.5pF
ESR	65KΩ Max.
Aging (First Year)	±3ppm Max.
Operating Temperature Range	-40 °C to +85 °C
Storage Temperature Range	-55 °C to +125 °C
Drive Level	1μW Max.

Dimension (Unit: mm)



TUNING FORKS